

NOTES:

1. Customer facilities shall comply with Company Standards, the National Electrical Code, and authorities having jurisdiction.
2. All conduit connections to be raintight.
3. Physical location of pole and any additional guying, bracing, or support (if needed) will be approved by the Company. See drawing D2-1.
4. Additional pole height may be required to maintain proper clearance per Section 7.3 Clearances.
5. Customer provides and installs service entrance wires, size #6 copper or #4 aluminum, minimum. A minimum of 3' of each conductor shall extend beyond the weatherhead. All wires should be same size. (NEC)
6. No utility service lines will be installed over any structures.
7. A main disconnect is required for seven or more circuit breakers. (NEC)
8. Customer Installed minimum 1/2" galvanized eye bolt with 2"x2" square washer recommended.
9. If the conduit between the meter socket and the main disconnect is not metal, a bonding ground is required.
10. When air conditioned or electrically heated construction trailers are to be served please see drawing D4-3 or consult the Company.

CALL 811 TWO BUSINESS DAYS BEFORE YOU DIG


In locations with underground facilities, the Customer shall notify One Call and shall have One Call locate all underground facilities before digging. It shall be the responsibility of the Customer to stay clear of all underground facilities.

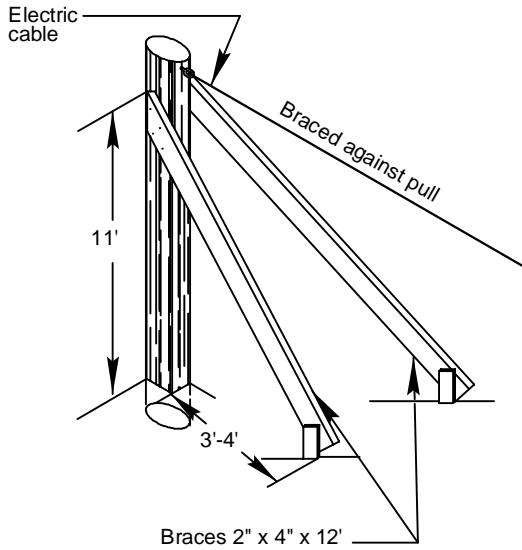
911 address shall be a minimum 3" lettering marked on meter enclosure, pole, or durable material attached to pole and should be visible from street. (See section 3.4)

ENTERGY SERVICES, INC.

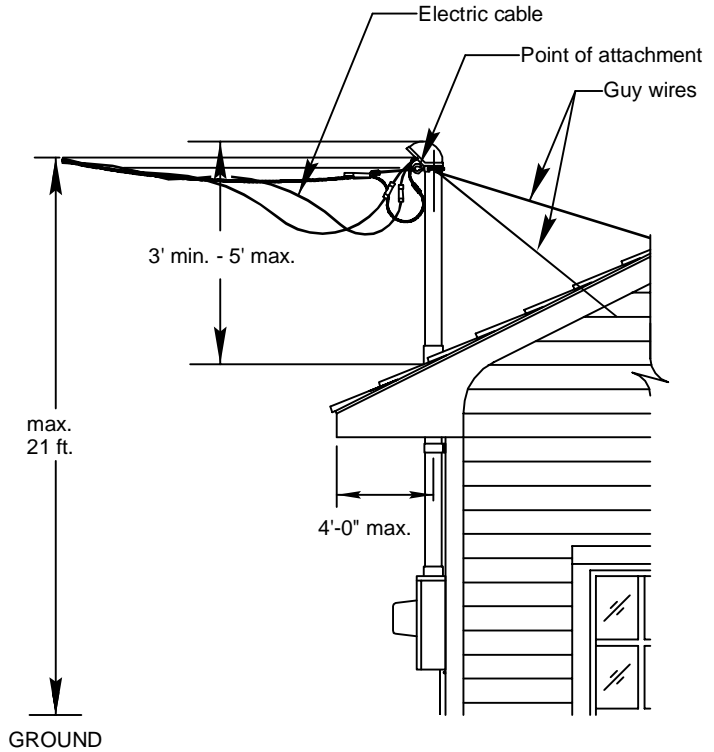
TEMPORARY POLE SERVICE FROM AN OVERHEAD SOURCE

5				
4				
3				
2				
1	01/13	REVISION OF DRAWING SS4.5-1	JED	
NO.	DATE:	REVISION	BY:	APPR:

APPROVED BY:	JRH	DATE:	01/10/2013
CHECKED BY:	JED	SCALE:	None
DRAWN BY:	krich95		
		No. D4-1	
		PLOT	1=1



POLE



MAST ABOVE ROOF

NOTES:

1. Bracing is required if a pole or riser is unstable, bends, or moves when shaken or a ladder is put against it or bends when wires are attached.
2. Consult the Company for specific requirements.

CALL 811 TWO BUSINESS DAYS BEFORE YOU DIG

In locations with underground facilities, the Customer shall notify One Call and shall have One Call locate all underground facilities before digging. It shall be the responsibility of the Customer to stay clear of all underground facilities.

ENTERGY SERVICES, INC.

BRACING

APPROVED BY: JRH DATE: 02/26/2013

CHECKED BY: JED SCALE: None

DRAWN BY: krich95

No. D2-1

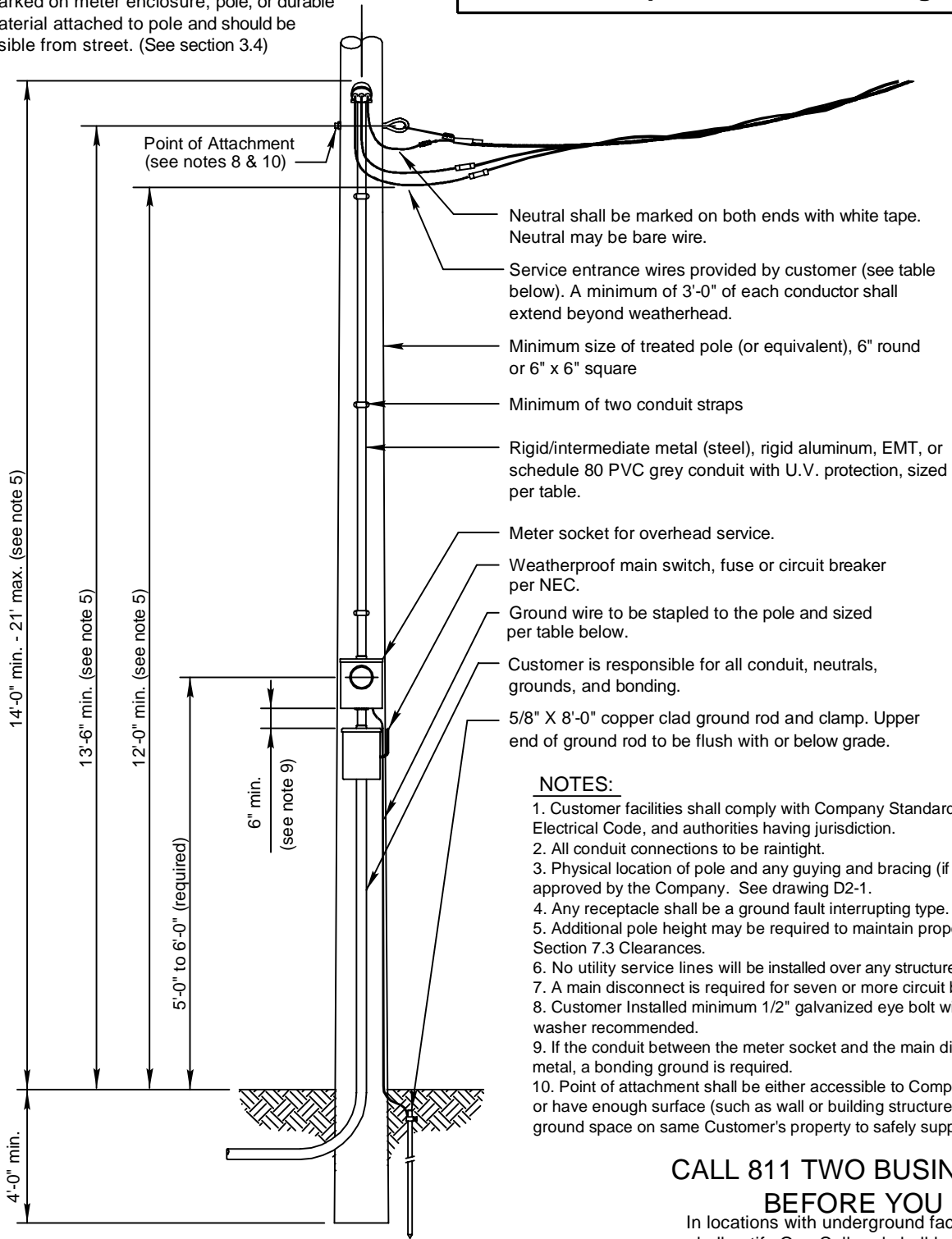


PLOT 1=1 SH. 1 OF 1

5				
4				
3				
2				
1	02/13	THIS DRAWING ADDED-NEW	JED	
NO.	DATE:	REVISION	BY:	APPR:

911 address shall be a minimum 3" lettering marked on meter enclosure, pole, or durable material attached to pole and should be visible from street. (See section 3.4)

Shall meet requirements of drawings D4-4 and D9-2.



NOTES:

1. Customer facilities shall comply with Company Standards, the National Electrical Code, and authorities having jurisdiction.
2. All conduit connections to be raintight.
3. Physical location of pole and any guying and bracing (if needed) will be approved by the Company. See drawing D2-1.
4. Any receptacle shall be a ground fault interrupting type.
5. Additional pole height may be required to maintain proper clearance per Section 7.3 Clearances.
6. No utility service lines will be installed over any structures.
7. A main disconnect is required for seven or more circuit breakers (NEC).
8. Customer Installed minimum 1/2" galvanized eye bolt with 2" x 2" square washer recommended.
9. If the conduit between the meter socket and the main disconnect is not metal, a bonding ground is required.
10. Point of attachment shall be either accessible to Company's bucket truck or have enough surface (such as wall or building structure) and sufficient ground space on same Customer's property to safely support a ladder.

CALL 811 TWO BUSINESS DAYS BEFORE YOU DIG

In locations with underground facilities, the Customer shall notify One Call and shall have One Call locate all underground facilities before digging. It shall be the responsibility of the Customer to stay clear of all underground facilities.

Minimum Customer Wiring Size - Residence Single Phase **				
METER SIZE	CONDUIT SIZE	Current carrying & neutral wire size (per NEC) *		COPPER GROUND WIRE SIZE**
		ALUMINUM	COPPER	
100 Amp	1.5"	#2	#4	#6 *
200 Amp	2"	4/0	2/0	#4
320 Amp	3"	500	350	#2

* Wire sizes based upon customer breaker size

** For 3Ø, consult the company Commercial & Industrial. Wire sizes are typically larger.

ENTERGY SERVICES, INC.			
SERVICE TO PERMANENT POLE LOCATION FROM AN OVERHEAD SOURCE (EX. MOBILE HOMES)			
APPROVED BY:	JRH	DATE:	01/09/2013
CHECKED BY:	JED	SCALE:	None
DRAWN BY:	krich95		
No. D4-3			
PLOT 1=1		SH. 1 OF 1	

1	10/13	REVISION OF DRAWING SS4.6-1	JED	
NO.	DATE:	REVISION	BY:	APPR:

