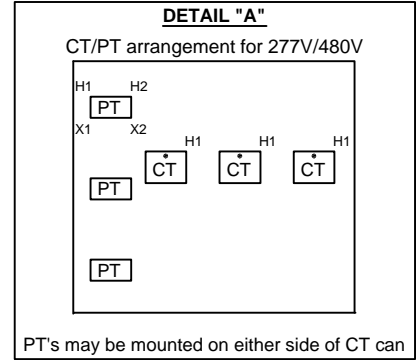
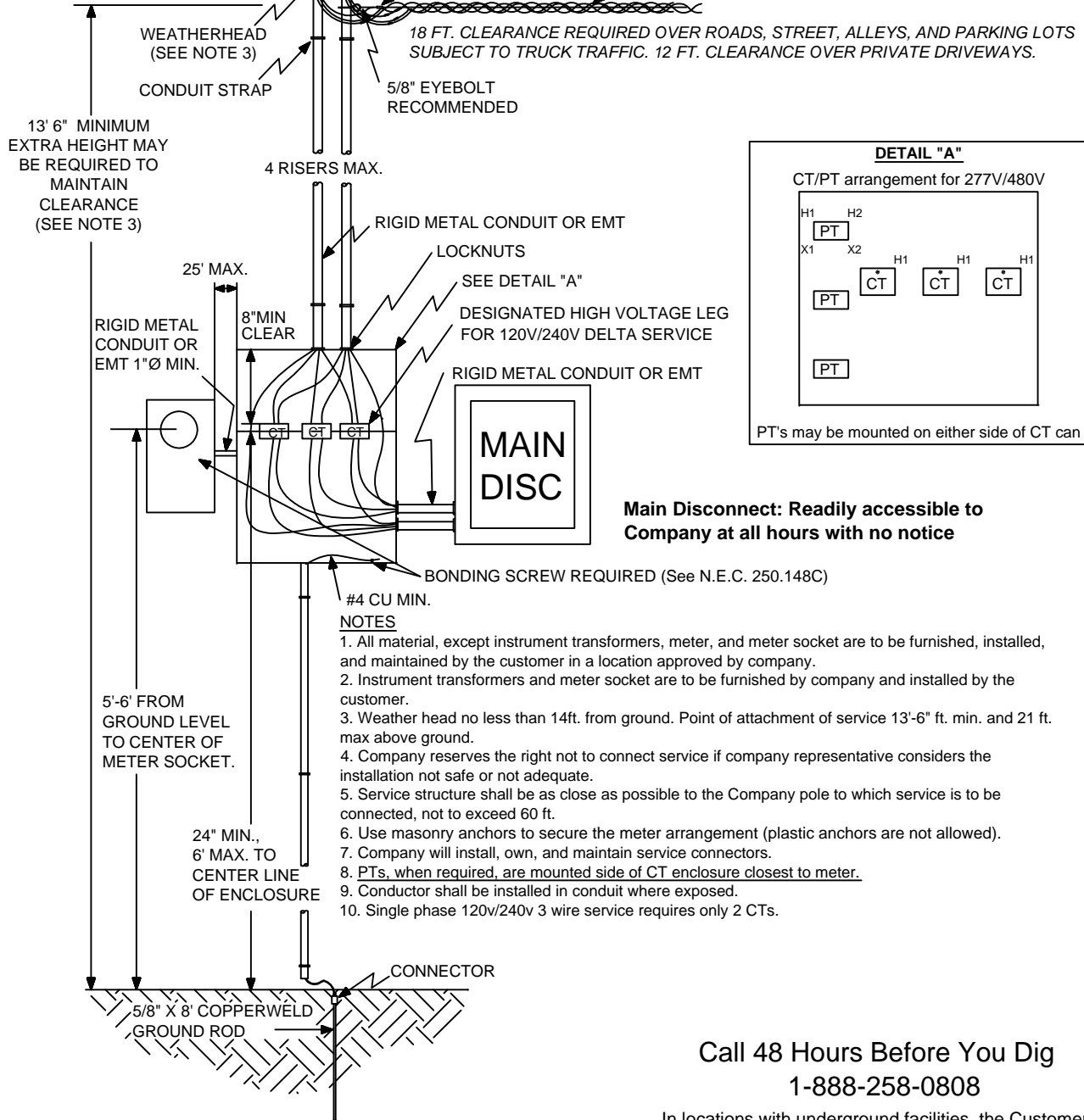


SERVICE ENTRANCE CONDUCTORS
MINIMUM LENGTH 3'
BEYOND WEATHERHEAD

DIVISION OF OWNERSHIP
AT CONNECTOR

911 address shall be a minimum 3" lettering marked on meter enclosure, pole, or durable material attached to pole and should be visible from street. (See sections 1-3, 3, 4)

COMPANY SERVICE CABLE



Main Disconnect: Readily accessible to Company at all hours with no notice

NOTES

1. All material, except instrument transformers, meter, and meter socket are to be furnished, installed, and maintained by the customer in a location approved by company.
2. Instrument transformers and meter socket are to be furnished by company and installed by the customer.
3. Weather head no less than 14ft. from ground. Point of attachment of service 13'-6" ft. min. and 21 ft. max above ground.
4. Company reserves the right not to connect service if company representative considers the installation not safe or not adequate.
5. Service structure shall be as close as possible to the Company pole to which service is to be connected, not to exceed 60 ft.
6. Use masonry anchors to secure the meter arrangement (plastic anchors are not allowed).
7. Company will install, own, and maintain service connectors.
8. PTs, when required, are mounted side of CT enclosure closest to meter.
9. Conductor shall be installed in conduit where exposed.
10. Single phase 120v/240v 3 wire service requires only 2 CTs.

**Call 48 Hours Before You Dig
1-888-258-0808**

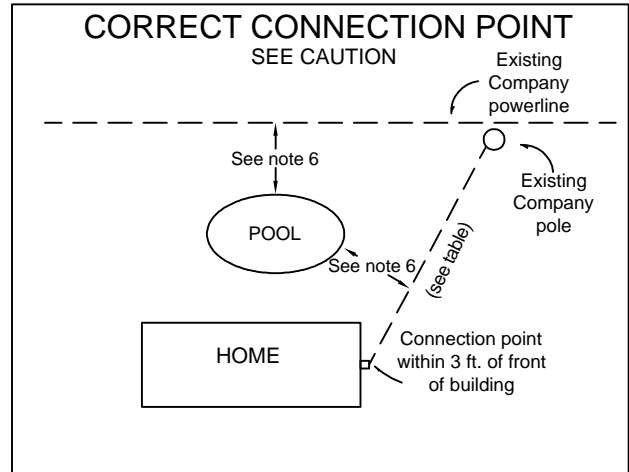
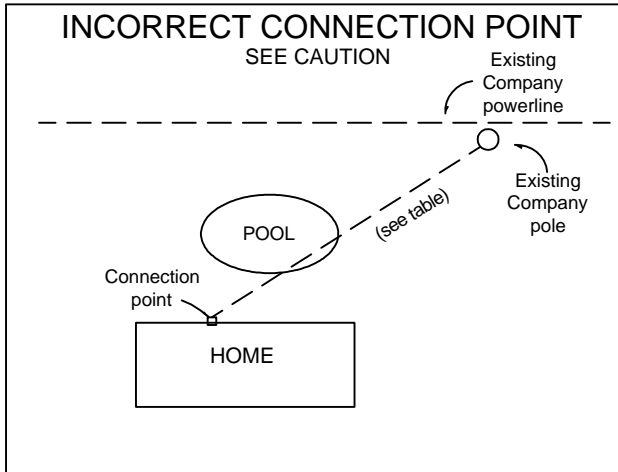
In locations with underground facilities, the Customer shall notify One Call and shall have One Call locate all underground facilities before digging. It shall be the responsibility of the Customer to stay clear of all underground facilities.

MINIMUM CT METER ENCLOSURE	
FOR 600 AMPS OR BELOW OR SINGLE CONDUCTORS OF 750 MCM OR GREATER AND PARALLEL CONDUCTORS UP TO AND INCLUDING 500 MCM	14" x 32" x 40" STEEL INSTRUMENT TRANSFORMER ENCLOSURE
FOR 600 - 800 AMPS OR PARALLEL CONDUCTORS GREATER THAN 500 MCM	14" x 32" x 54" STEEL INSTRUMENT TRANSFORMER ENCLOSURE
FOR 800 AMPS OR PARALLEL CONDUCTORS GREATER THAN 750 MCM	CONSULT THE COMPANY

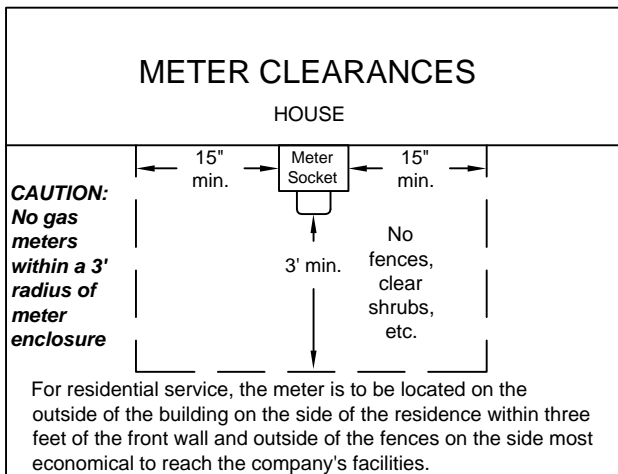
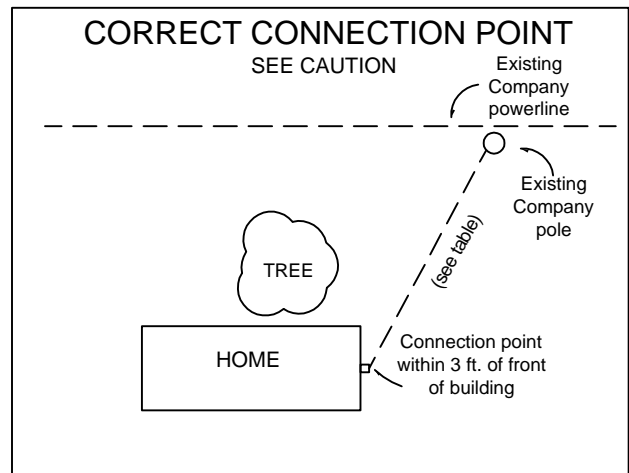
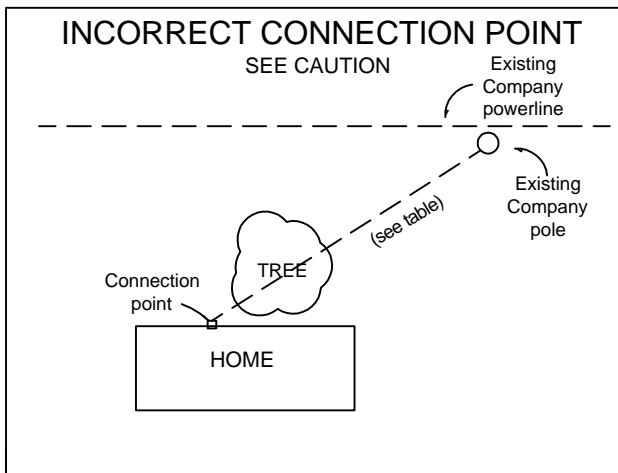
ENTERGY SERVICES, INC.	
CURRENT INSTRUMENT TRANSFORMER FOR OVERHEAD SERVICE	
APPROVED BY: JRH	DATE: 04-23-01
CHECKED BY: JED	SCALE: NONE
DRAWN BY: C HAHN/DAT	CEA NO. 00000
No. SS11.8-3	
PLOT 1=1 SH. 1 OF 1	

NO.	DATE:	REVISION	BY:	APPR:
3	3/08	UPDATED: CUSTOMER INSTALLATION STANDARDS TEAM	DAT	
2	4/05	UPDATED: CUSTOMER INSTALLATION STANDARDS TEAM	DAT	
1	4/02	UPDATED: CUSTOMER INSTALLATION STANDARDS TEAM	DAT	





The Company will not install an electrical facility over a pool, shed, or deck.



CAUTION :
Connection points, when such obstructions interfere with an overhead service, may need to be moved or converted to underground (if possible), at the customers expense.

TABLE	
Maximum Recommended Distance	
Amps	Length
100	100'
200	75'
320	40'

Call 48 Hours Before You Dig
1-888-258-0808

In locations with underground facilities, the Customer shall notify One Call and shall have One Call locate all underground facilities before digging. It shall be the responsibility of the Customer to stay clear of all underground facilities.

Notes:

1. NEVER build anything under or over existing electrical lines or facilities. Check with the Company for clearances.
2. **Contact Company for clearances prior to pool construction** (NESC Table 234-2 & NEC 680.6).
3. See Section 11.5 for Meter Location.
4. Connection point shall be pre-approved by the Company.
5. See TABLE for maximum recommended service lengths. Longer lengths than those in the table may require the Company to install an additional pole. This may involve additional cost (typically \$500 or more), to the customer.
6. The Customer is responsible for clearing and maintaining all right of way.

ENTERGY SERVICES, INC.	
Overhead Service Installation Details	
APPROVED BY: JRH	DATE: April 2002
CHECKED BY: LKE	SCALE: None
DRAWN BY: DAT	
No. SS7.2-1	
PLOT 1=1	SH. 1 OF 1

2	3/08	UPDATED: CUSTOMER INSTALLATION STANDARDS TEAM	DAT	
1	2/05	UPDATED: CUSTOMER INSTALLATION STANDARDS TEAM	DAT	
NO.	DATE:	REVISION	BY:	APPR:

