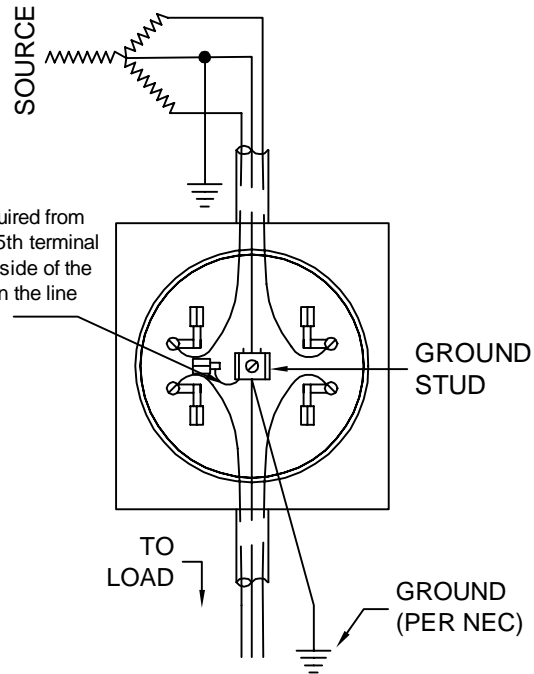
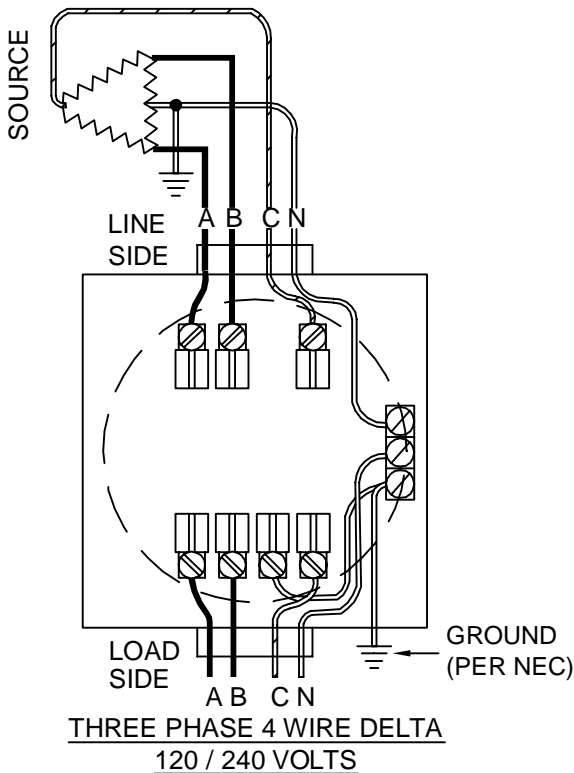


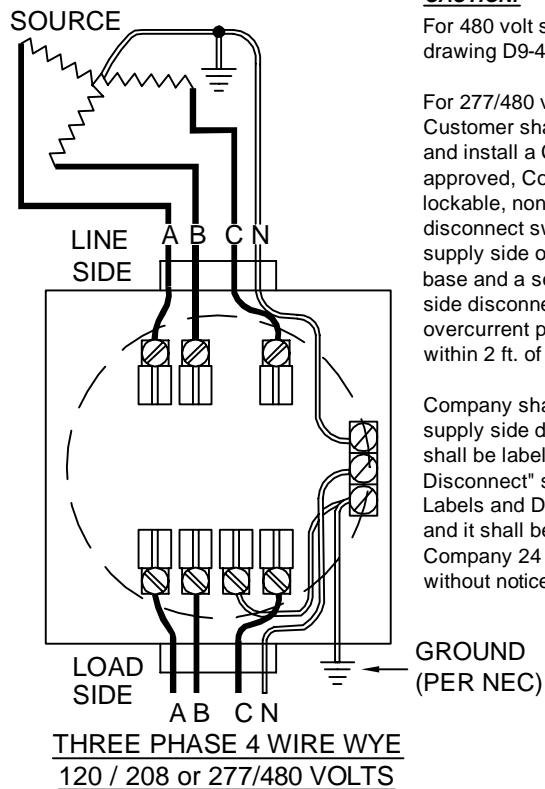
**TYPE S**  
**3 WIRE SINGLE PHASE 120/240 VOLTS**



**TYPE S**  
**3 WIRE SINGLE PHASE 120/208 WYE VOLTS**



**THREE PHASE 4 WIRE DELTA**  
**120 / 240 VOLTS**



**THREE PHASE 4 WIRE WYE**  
**120 / 208 or 277/480 VOLTS**

**CAUTION:**

For 480 volt service, see drawing D9-4.

For 277/480 volt service, Customer shall furnish and install a Company approved, Company lockable, non fused disconnect switch on the supply side of the meter base and a separate load side disconnect with overcurrent protection within 2 ft. of the meter.

Company shall control the supply side disconnect. It shall be labeled "Utility Disconnect" see §1.5 Labels and Disconnects and it shall be available to Company 24 hours a day without notice.

**NOTES:**

1. Ungrounded Conductor with the Higher Voltage to Ground (Phase marked C) must be marked orange.
2. All sockets, except residential single phase less than 320 Amps, shall have a manual mechanical gang operated bypass switch.
3. Load and supply wires shall not cross in the meter socket.

<b>ENTERGY SERVICES, INC.</b>			
<b>WIRING DIAGRAM CONNECTIONS</b>			
<b>FOR OVERHEAD</b>			
<b>SELF CONTAINED METERS</b>			
APPROVED BY:	JRH	DATE:	01/14/2013
CHECKED BY:	JED	SCALE:	NONE
DRAWN BY:	krich95		
		<b>No. D9-2</b>	
PLOT	1=1	SH.	1 OF 2

1	01/13	REVISION OF DRAWING SS11.8-1	JED	
NO.	DATE:	REVISION	BY:	APPR: